



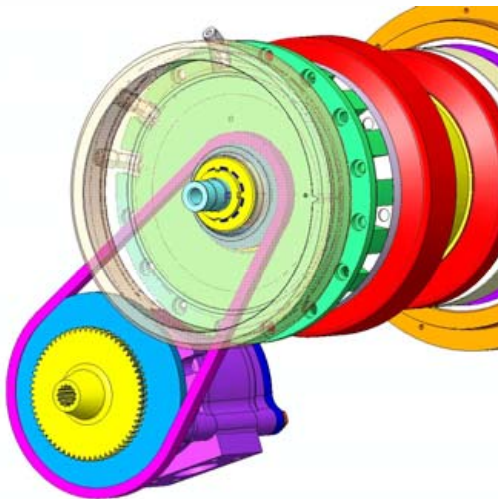
Application News

From Ramsey Products

Transmission Lubrication Pump Driven by Silent Chain

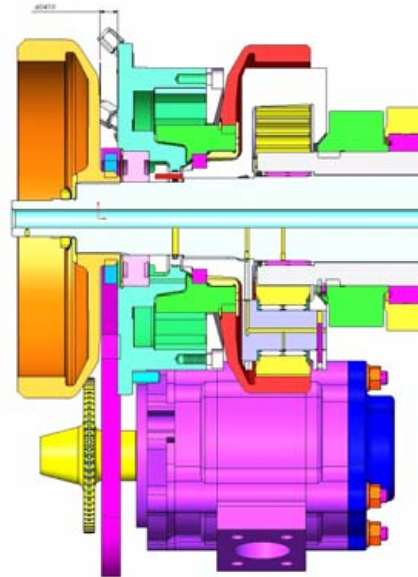
Application:

- Auxiliary lube pump within transmission.
- 22 HP @ 4000 RPM.
- 1.771:1 drive ratio.



Components Selected:

- Ramsey RPV301.75 Chain.
- Custom Ramsey Sprockets



Description:

New transmission design requires auxiliary pump to maintain lubrication while operating and while being towed. Very tight space limitations require a strong positive drive in a compact package. Ramsey offered custom manufactured components made to the customer's specifications.

Contact Ramsey Products for assistance with your application. We will provide a no obligation review of your drive requirements.

The Source for Silent Chain and Sprockets <http://ramseychain.com>

Ramsey Products Corporation

135 Performance Drive
Belmont, NC 28012

P.O. Box 668827
Charlotte, North Carolina 28266-8827

Phone: 70-394-0322
Fax: 704-394-9134
Email: Sales@ramseychain.com
<http://www.ramseychain.com>