



**Important Drive Selection Information**

Please provide as much information as possible about your drive application. Skip over any questions that you do not have answers for and contact Ramsey if you have questions. Please email the completed form to: [EngineeringSales@ramseychain.com](mailto:EngineeringSales@ramseychain.com) or [Sales@ramseychain.com](mailto:Sales@ramseychain.com)

Date

1. Company Name & Contact Name:

2. Email address & Phone Number:

3. Complete description of the application (be specific):

Estimated number of Drives:

Budget (per drive): \$

4. What is being driven by the chain?

5. Are you replacing an existing drive (roller chain; belt; gear)?

Please describe existing drive:

Are there any problems with the existing drive?

6. What is the power source for the drive? ( Check One)

Diesel Engine

Gas Engine

Turbine

Electric Motor

Other

7. What is the input power?

HP or

KW

8. What degree of shock loading will be seen by this drive?

a. At start up? (Check One)

Low

Medium

High

b. During operation? (Check One)

Low

Medium

High

9. How is the power source connected to the chain drive? ( Check One)

Mechanical Coupling

Fluid Coupling

Rigid Coupling

Other (Describe)

10. Will the drive be subject to frequent starting and stopping?

11. What is the Duty Cycle of this drive?

Hours / cycle.

Hours / day.

12. What is the drive orientation?

13. Direction of rotation:

14. Which is the driving sprocket?

15. Shaft Center Distance:  $X =$   
Center Distance Range:  $\Delta X =$

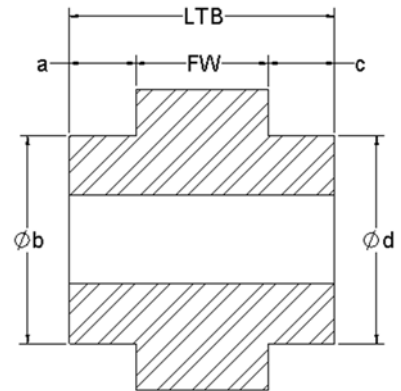
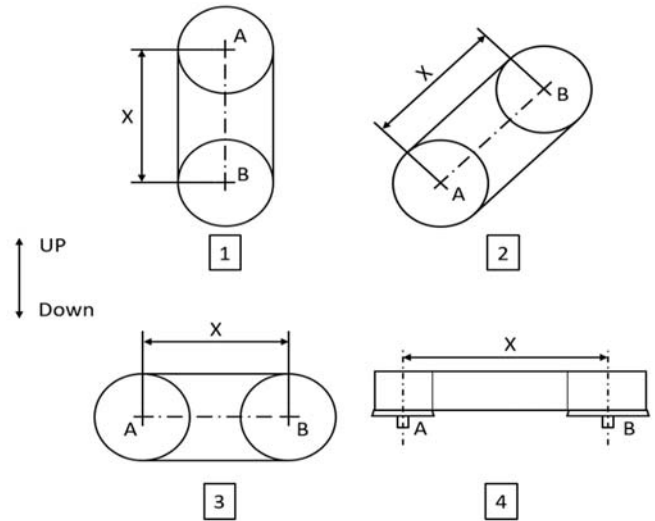
16. Input Shaft – Speed:                      RPM  
    – @    o    Diameter:

17. Output Shaft – Speed:                      RPM  
    – \       o    Diameter:

18. Desired Sprocket Dimensions:

Units:

Dimension	Sprocket	
	A	B
a		
b		
c		
d		
LTB		



19. Does the design include an adjustment for chain elongation?

20. Do you plan to use an adjustable idler sprocket for chain tensioning?

21. Does the rotation of the drive reverse during normal operation?

22. Drive Enclosure (Check one): None                      Sealed Drive Case                      Guard / Hood Only

23. What type of lubrication will be available? (Check one) None                      Manual                      Bath                      Forced Feed

24. Are drawings available showing the layout of the drive?

25. Additional notes / sketches: