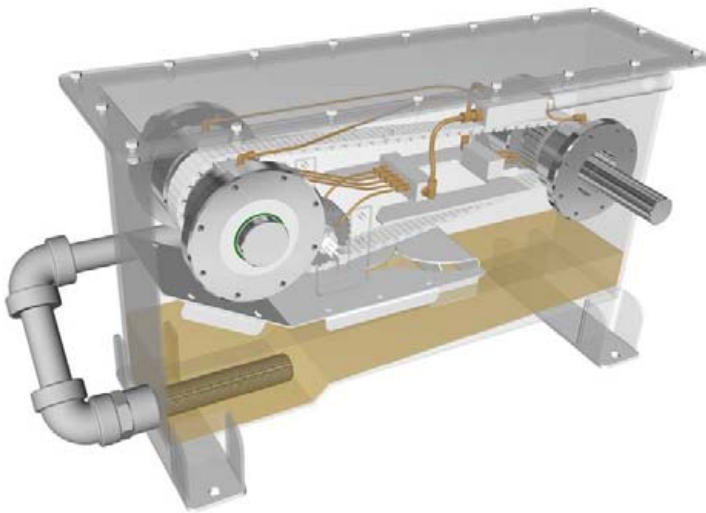




HyperLink™ Drive Features

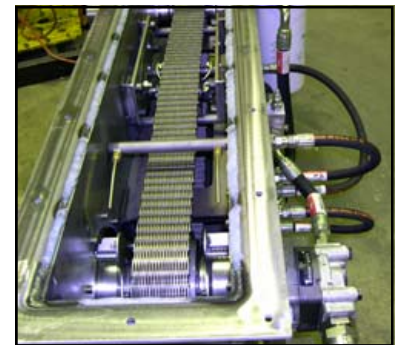


- Up to 99% Efficient
- Fully Customizable
- Large Center Distances
- Optimum / Exact Drive Ratios
- Built to Exact Space Requirements
- Capable of Loads of 3,000 HP (2240 kW) and speeds exceeding 7,000 FPM (35.5 M/s)
- Low Maintenance
- No Minimum Order Quantity

Why consider a HyperLink™ Drive ?

- Are you faced with coupling together multiple components to achieve the speeds and drive ratios you require?
- Do you find it difficult to find an off the shelf speed reducer that will accommodate your center distance?
- Or, are you tasked with designing an enclosure and lubrication system for a chain drive?

If so, a Ramsey HyperLink drive may be the answer.



Ramsey Products Corporation has designed and manufactured silent chain drives and sprockets for over 80 years. For more information contact Ramsey.

PO Box 668827
Charlotte, NC 28266 USA
Phone: 704-394-0322
Fax: 704-394-9134
Email: sales@ramseychain.com
www.ramseychain.com



Lansinkesweg 4-003
7553 AE Hengelo (Ov)
The Netherlands
Phone: +31 (0) 742503308
Fax: +31 (0) 742506485
Email: Euro.sales@ramseychain.com